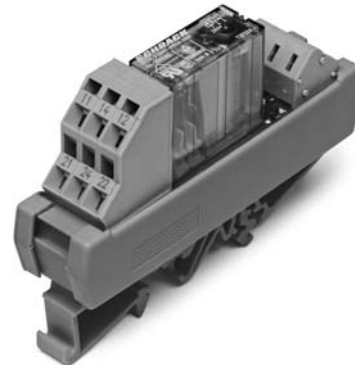


Safety Relay on DIN-rail SR2 Z

- 2 pole 6 A
- SR2M on printed circuit board
- Screwless clamp connectors

Applications

Elevator control, machine control

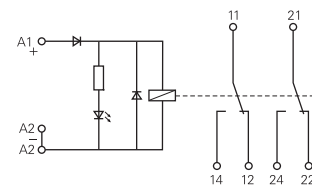


F-SR2Z-A

Contact data

Contact set	single contact, forcibly guided type A ¹ according to EN50205
Rated voltage / max. switching voltage AC	250 VAC / 250 VAC
Rated current / limiting continuous current	6 A
Maximum breaking capacity AC	1500 VA
Contact material	AgNi
Minimum contact load	10 mA / 5 V
Contact resistance	≤100 mOhm / 1 A / 24 VDC ≤20 Ohm / 10 mA / 5 VDC
Rated frequency of operation with 7 without load	6 min ⁻¹ / 300 min ⁻¹

Terminal assignment



S0532-A

¹⁾ According to EN50205 only 1NO / 1NC (11-14 and 22-21 or 12 -11 and 21 - 24) shall be used as forcibly guided contacts.

Coil data

DC energizing voltage U _{rtd}	24 VDC
Input circuit	LED
Minimum operate voltage, % of rated coil voltage	90%
Minimum release voltage (+23°C), % of rated coil voltage	10%
Limiting voltage, % of rated coil voltage	110%

Insulation

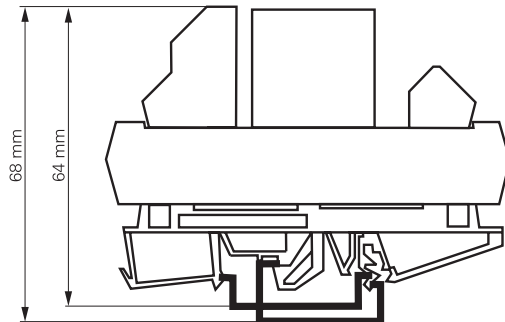
Surge voltage resistance coil-contacts	4000 V _{rms}
open contact circuit	1000 V _{rms}
adjacent contacts	2000 V _{rms}
Clearance / creepage coil-contact	≥ 8 / 8 mm
adjacent contacts	≥ 3 / 3 mm
Insulation to IEC 60664	
Voltage rating	250 V
Pollution degree	2
Overvoltage category	III

Safety Relay on DIN-rail SR2 Z (Continued)

Other data	
Mechanical endurance	10x10 ⁶ cycles
Material	RoHS - Directive 2002/95/EC compliant
Environment	Ambient temperature -25...+50 °C
Processing	Connections (according IEC)
	solid wire 0.2...2.5 mm ²
	stranded wire 0.2...2.5 mm ²
	AWG 28...14
Installation position	any
Mounting	in rows with zero spacing
Type of connection	screwless clamp connectors
Relay weight	50 g
Packaging unit	2 pcs

Dimensions

Module width 20 mm
Module length 87 mm



S0533-A

Fit onto mounting rails according to DIN EN 50022 or DIN EN 50035

Product key

Typical product key

SR2Z

Y

024

Type

SR2Z Safety Relay on DIN-rail SR2 Z

Contact configuration

Y 2 CO contacts (2 form C)

Coil

DC Coil code = rated coil voltage (e.g. 024=24 VDC)

Other types on request

Product key	Type	Contact configuration	Coil	Part number
SR2ZY024	2-pole module	2 CO contacts	24 VDC	9-1415536-1